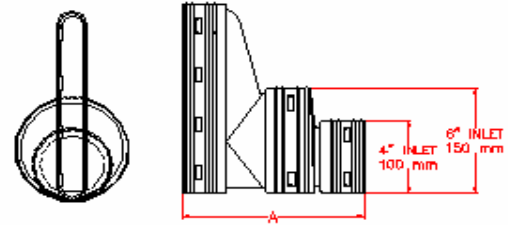


SGC END OUTLET

ITEM#05-141-10

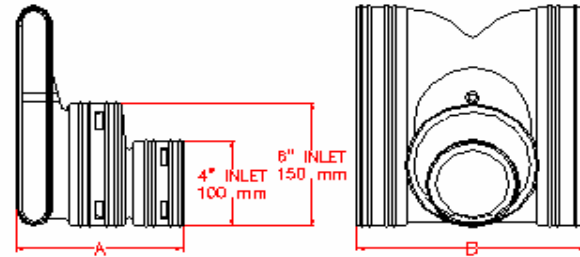
| PIPE SIZE | A |
|-------------------|---------------------|
| 12 in (300 mm) | 12.3 in (311 mm) |
| 18 in (300 mm) | 13.3 in (337 mm) |



T RISER EXHAUST

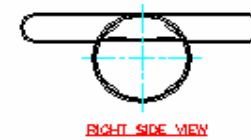
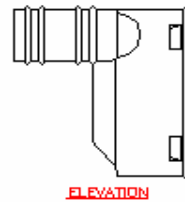
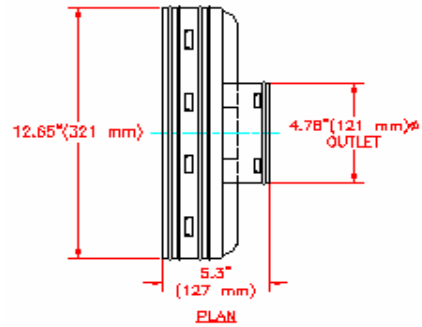
ITEM#05-141-1

| PIPE SIZE | A | B |
|-------------------|--------------------|---------------------|
| 12 in (300 mm) | 9.4 in (238 mm) | 12.4 in (314 mm) |
| 18 in (300 mm) | 9.4 in (238 mm) | 12.5 in (318 mm) |



SGC FLAT OUTLET

ITEM#05-141-1F



NOTE: ALL FITTINGS DIMENSIONS ARE FOR REFERENCE ONLY