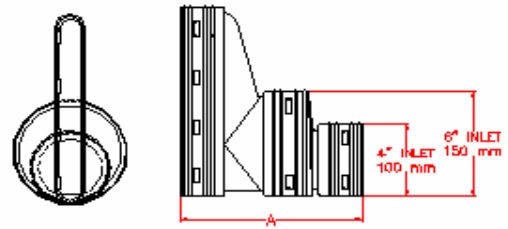


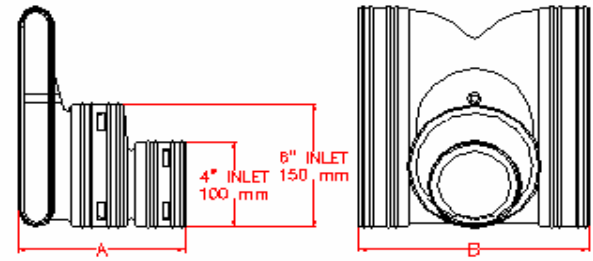
[REDACTED] END OUTLETS

[REDACTED]	PIPE SIZE	A
[REDACTED]	12 in (300 mm)	12.3 in (311 mm)
[REDACTED]	18 in (300 mm)	13.3 in (337 mm)

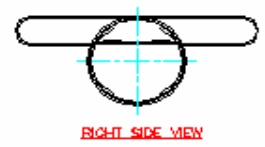
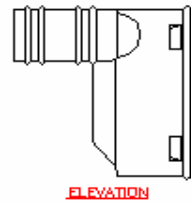
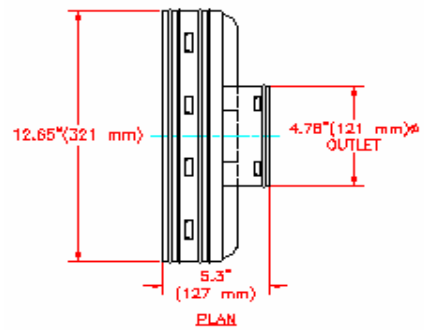


[REDACTED] SIDE OUTLETS

[REDACTED]	PIPE SIZE	A	B
[REDACTED]	12 in (300 mm)	9.4 in (238 mm)	12.4 in (314 mm)
[REDACTED]	18 in (300 mm)	9.4 in (238 mm)	12.5 in (318 mm)



12" FLAT [REDACTED] OUTLET [REDACTED]



NOTE: ALL FITTINGS DIMENSIONS ARE FOR REFERENCE ONLY

[REDACTED]	[REDACTED]	[REDACTED]	[REDACTED]	[REDACTED]
[REDACTED]	[REDACTED]	[REDACTED]	[REDACTED]	[REDACTED]
[REDACTED]	[REDACTED]	[REDACTED]	[REDACTED]	[REDACTED]