

## PRODUCT DETAILS

Ver. 3/1/2023



### 1. Product Name

Model SSK-08

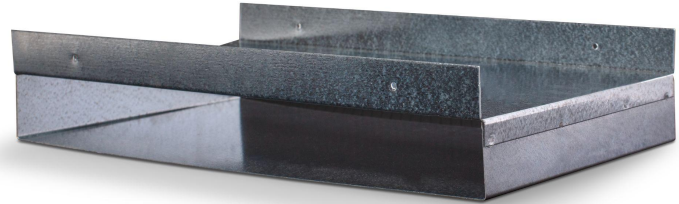
### 2. Manufacturer

Strong Sleeves™ LLC

10 Town Plaza, #444

Durango, CO 81301

[www.strongsleeves.com](http://www.strongsleeves.com)



### 3. Product Description

**Uses:** Strong Sleeves™ are installed when forming concrete structural supports, creating a continuous pathway for effective soil gas collection systems. In accordance with the Drawings, the pre-manufactured Strong Sleeve devices allow radon mitigation mats to easily be continued through concrete grade beams and concrete stem walls without transitioning to round pipe.

**Advantages:** Strong Sleeves are designed and engineered for safer construction of new residential, commercial, and school buildings by eliminating extensive trenching and specialized gravel fill materials.

### 4. Installation

- a. Install at elevations and locations shown on the Drawings or as otherwise directed by the Architect. Coordinate all locations with the Structural Engineer to confirm that the block-out locations through the grade beams and stem walls have sufficient structural strength and adequate reinforcement.
- b. Attach the Sleeve to the interior walls of the concrete forms using the (4) pre-drilled holes in each Sleeve unit. Adjust steel reinforcement as directed by the Structural Engineer for wall or grade beam penetrations.
- c. After pouring concrete and removing concrete forms, remove the foam insert within each Sleeve. Use mechanical means only, DO NOT USE SOLVENTS TO DISSOLVE THE FOAM. Using solvents (such as gasoline) to remove the foam blocking may damage radon mitigation equipment and may lead to the risk of fire.

### 5. Availability and cost

Strong Sleeves™ are available through our network of specialty radon supply distributors. For current cost information and availability contact Radon PDS [www.radonpds.com](http://www.radonpds.com).

**6. Hazards and Exposure Controls**

This product is exempt from hazard classification according to OSHA Hazard Communication Standard, 29 CFR 1910.1200.

This product is considered to be an article which does not release or otherwise result in exposure to a hazardous chemical under normal use conditions. No engineering controls or personal protective equipment (PPE) are necessary.

**7. Materials Data**

Each Sleeve shall be constructed of a minimum of 22 gage galvanized sheet steel according to the sizes shown on the Drawings.

PROPERTY	COMPONENT
Appearance:	Metallic
Physical State:	Solid
Solubility in Water:	Insoluble
Melting Point:	2,372~2,800 °F
Specific Gravity (water = 1):	7.5~8.5
Odor:	Odorless

**8. Warranty**

Strong Sleeves LLC shall guarantee the Sleeve components against all manufacturer originated defects in materials or workmanship for a period of twelve (12) months from the date the components are delivered for installation. The manufacturer shall upon its determination repair, correct or replace any manufacturer originated defects advised in writing to the manufacturer within the referenced warranty period. The cost of the replacement or repair of the Strong Sleeves shall be limited to the cost of the Strong Sleeve products supplied. The use of Sleeves shall be limited to the application for which they were specifically designed.

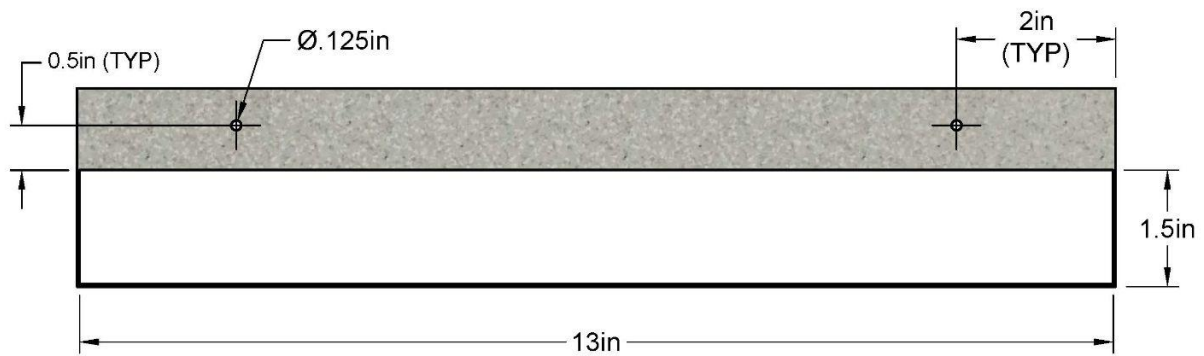
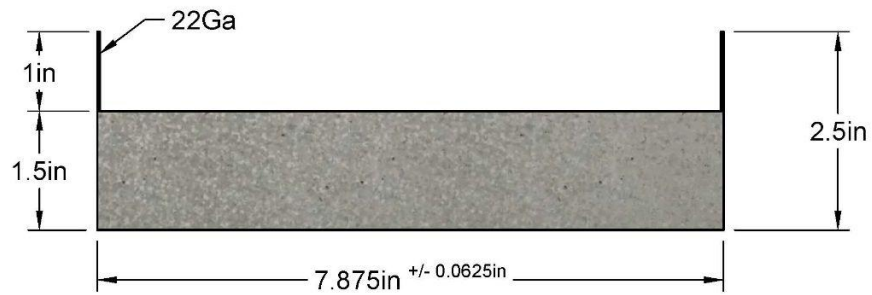
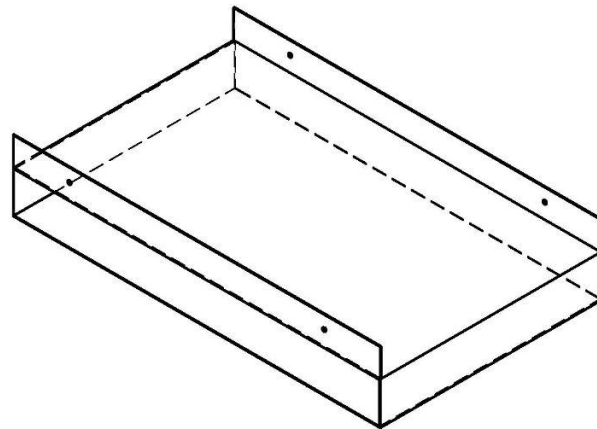
**9. Technical Services**

Technical advice, custom CAD drawings, custom Sleeve sizing, and additional information can be obtained by contacting Strong Sleeves or by visiting the website.

**Website** - [strongsleeves.com](http://strongsleeves.com)

**Phone** - (970) 903-6642 | M-F 9:00-4:00 MST

2/13/2023  
8-IN STRONG SLEEVE DRAWING.DWG



**STRONG SLEEVES LLC**  
**8-IN STRONG SLEEVE™ DETAIL**