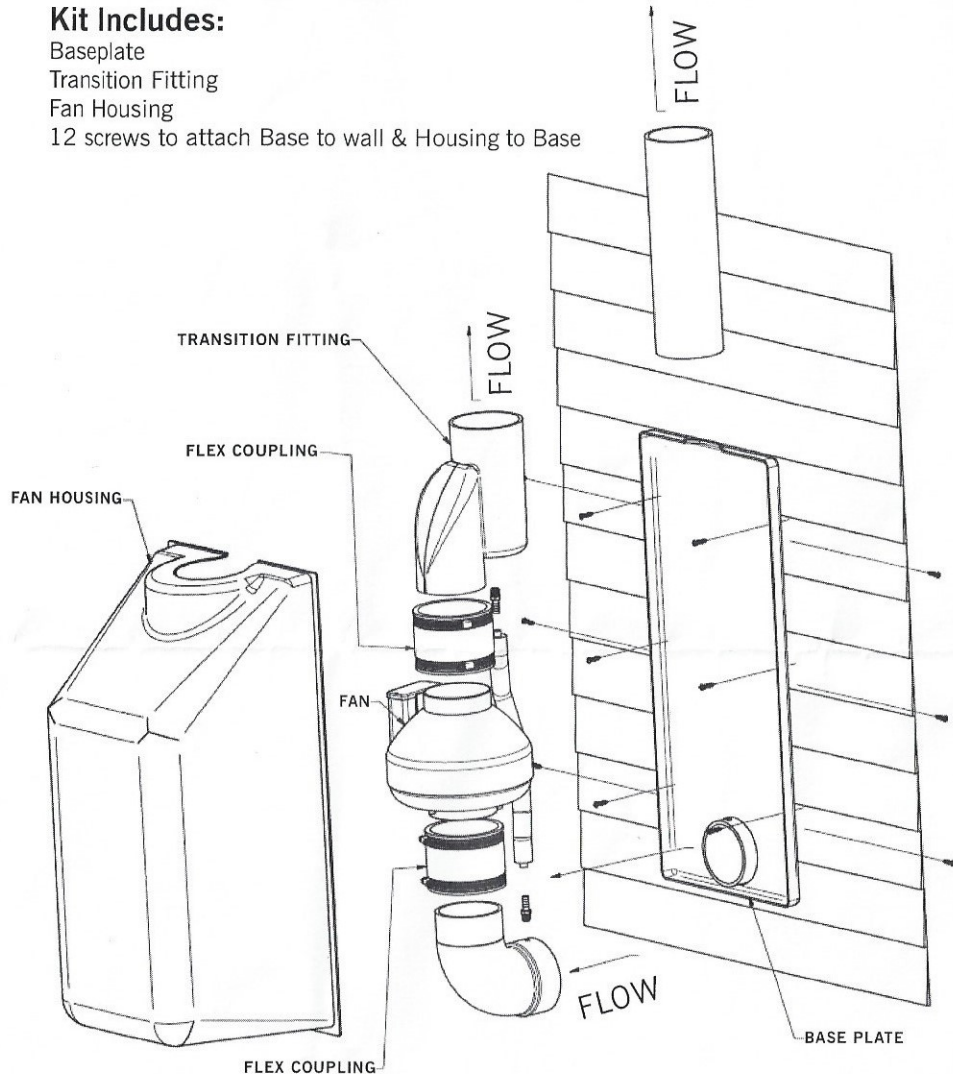


RadonAway Fan Cover (Housing) Kit Installation Instructions

Kit Includes:

Baseplate
 Transition Fitting
 Fan Housing
 12 screws to attach Base to wall & Housing to Base



PARTS NOT INCLUDED:

PVC Pipe
 PVC Street 90° Elbow
 Radonaway Fan
 Flexible Couplings (2)
 PVC cement
 Condensate Kit (P/N 25030)

NOTE:

If painting is desired, prime with 'flexible parts primer' (available at most auto paint supply stores). Color coat by following instructions shown on primer.

For use with fans with a diameter up to 12.5" and a height no greater than 13.5".

Install:

1. Run PVC pipe through side wall before mounting fan housing. NOTE: Do not cut PVC for length until reading step 4. Decide where the electrical cord will run and drill necessary holes.
2. Cut a hole in the bottom of the base plate no more than 3/4" from the extreme bottom end.
3. Mount base plate on the wall, over the PVC pipe, with supplied screws, or if necessary field supplied anchors.
4. Cut the PVC pipe off so that
 3 5/8" (for 3" dia pipe) or
 2 5/8" (for 4" dia pipe) of pipe extends through the baseplate.
5. Fit street elbow to pipe coming through the wall. Cement in place after fit up is checked. **Verify that the center line of the Street 90 is 6 3/8" from the baseplate, level and plumb.**
6. Fit lower flex coupling (4x6 for GP series fans) over elbow. Fit fan inlet onto lower flex coupling.
7. Attach bottom of transition fitting into top flex coupling.
8. Fit top flex coupling onto fan outlet.
9. Install vertical outlet pipe into outlet of transition fitting. Cement in place.
10. Fit housing over outlet pipe; secure to baseplate with supplied screws.

